



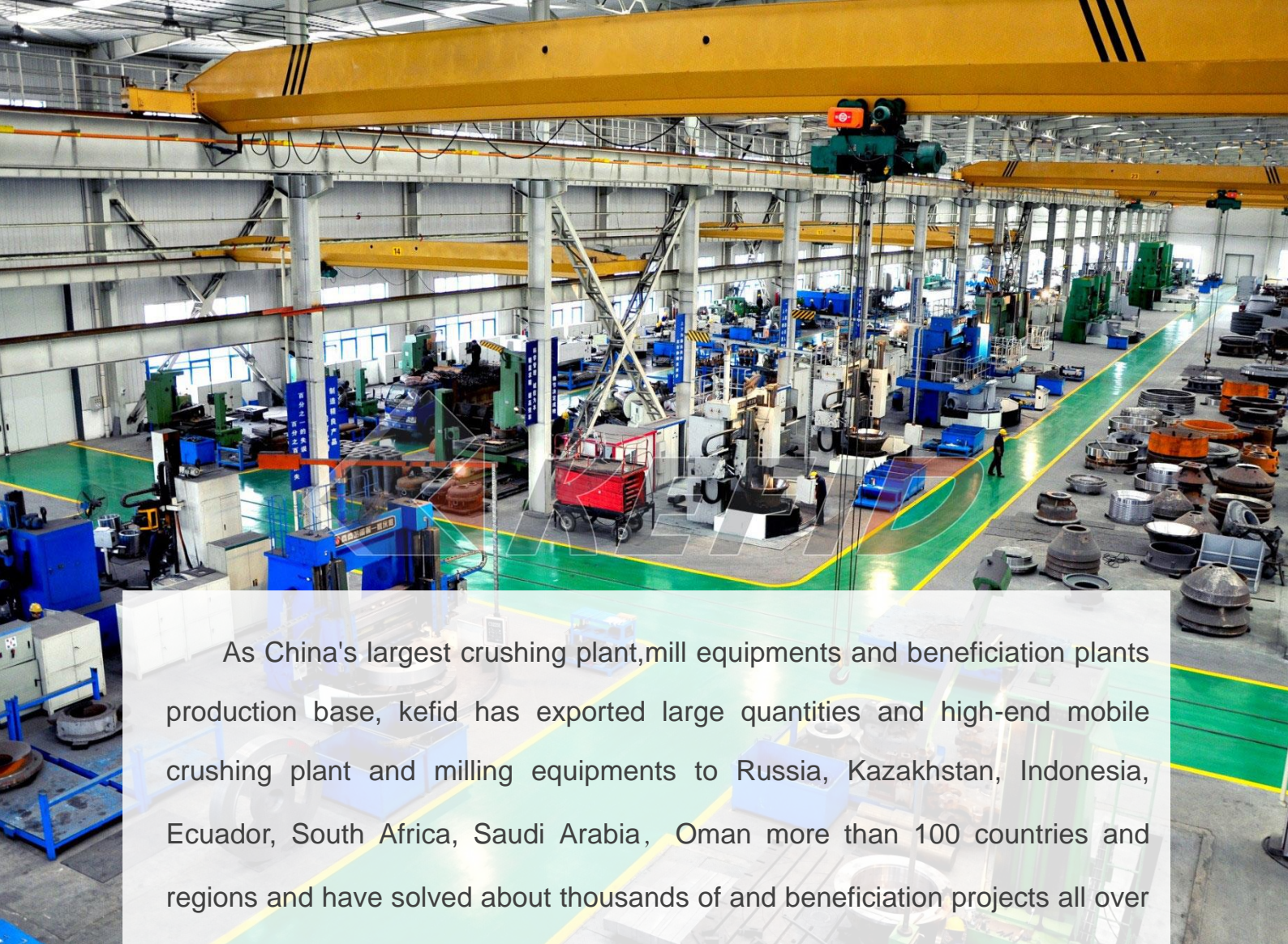
# JAW CRUSHER

Reach new height with KEFID

- Energy conservation increase by 30%
- Deep crushing chamber increase the feeding capacity
- Crushing ratio increase by 30%
- Large discharge opening and high production







As China's largest crushing plant, mill equipments and beneficiation plants production base, kefid has exported large quantities and high-end mobile crushing plant and milling equipments to Russia, Kazakhstan, Indonesia, Ecuador, South Africa, Saudi Arabia, Oman more than 100 countries and regions and have solved about thousands of and beneficiation projects all over the world, which has made tremendous contributions to the local construction, mining industry and developments.

Jaw Crusher is ideally suitable as primary and secondary crusher for material with compression strength less than 320Mpa, whose size range of feed material is from 125 to 1020mm. Jaw Crusher is of high crushing ratio, larger capacity, well-distributed final product size, simple structure, reliable performance, convenient maintenance, lower operation cost, etc. It is widely used in mining, metallurgy, construction, highway, railroad, and water conversation, etc, which is the optimum crushing equipment as primary crushers.



## Various kinds of Jaw Crushers are the first choice for primary crushers

**1.High efficient,high production.**Deep crushing chamber without dead zone,which increase the feeding capacity and production capacity.

**2.High quality products.**The final products will be well-distributed after the materials are squashed or chopped.

**3.Reliable and flexible.**Discharge opening of the jaw crusher is adjustable reliably within a wide range through the stuffing of shim, thus it is able to meet various requirements of customers.

**4.Easy to maintain and repair.**Safe and reliable lubrication system,easy replacement of spare parts.

**5.Lower cost.**Reliable performance, increasing feeding materials,improving efficiency,lower operation cost.

**6.Energy saving of single equipment.**Energy conservation increase by 15%-30%,systemic energy conservation increase more than twice.

**7.Strong applicability.**The discharging opening is large so that it can meet various customers.

**8.Clean and environmental.**Little dust and low noise.







## Primary Mobile Crushing Plant • Mobile JC series of European Jaw Crusher

### MAIN FEATURE

Compact frame classis decreases the length of material conveying.

Easily adopted from single crushing application to multi-crushers cooperation.

Pre-screening function makes much more capacity ever.for the whole machine.

Exchangeable on the main machines satisfy the various needs from clients.

The flexiabile and motorized parking features ensure its immediate operating mode.

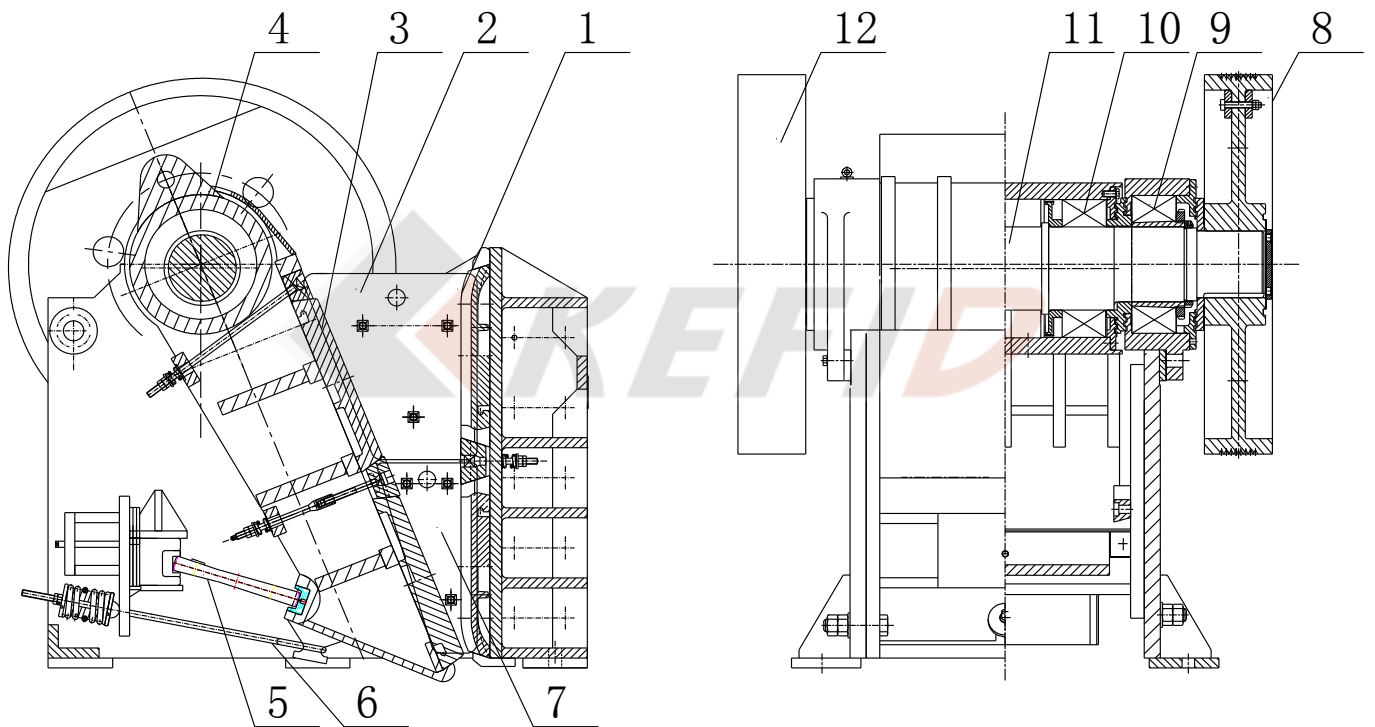
### Powerful giant jaws, Crushing blade

K series coarse crushing plant is considered as the most powerful crushing plants in China. It owns awesome big mouth, strong and giant jaws can easily crush all the materials in different hardness. It is indeed the sharpest crushing blade with excellent crushing ratio.

### APPLICATIONS

Primary crusher in mining, quarry, mixing and batching plant, road and building construction, highway, railway and subway, and water conservancy.





1- Fixed jaw

2- Liner board

3- Movable jaw plate

4- Movable jaw

5- Toggle plate

6- Spring and Draw rod

7- low liner board

8- Belt pulley

9- Bearing

10- Bearing

11- Eccentric shaft

12- Flywheel



## Technical Parameters of Jaw Crusher

Model	Max. Feeding Size (mm)	Discharge Size (mm)	Capacity (t/h)	Motor Power (kw)	Overall Dimensions (mm)	Weight (t)
PE400×600	350	40-100	15-60	30	1700×1732×1653	6.5
PE500×750	425	50-100	50-100	55	2035×1921×2000	10.3
PE600×900	480	65-160	60-168	75	2290×2206×2370	16.5
PE750×1060	630	80-140	100-250	110	2620×2302×3110	29
PE900×1200	750	95-165	160-380	130	3789×2826×3025	54.5
PE1000×1200	850	195-365	315-550	130	3335×3182×3025	57
PE1200×1500	1020	150-350	400-800	160-220	4200×3750×3820	100.9

**Note: Any change of Jaw Crusher technical data shall not be advised additionally**





# The Analysis of Large-scale Sand Production Line



## Kefid **100TPH** cobblestone crushing line in Uzbekista



**MATERIAL :** cobblestone

**FEEDING SIZE (MM) :** 200mm

**OUTPUT SIZE :** 0-8mm,8-15mm

**CAPACITY :** 100T/h

**EQUIPMENT :** PE500X750, CSB75, 5X7615, 3YZS1860 ,  
LSX920 , GZG100-4 , belt conveyor, electric box.

## Kefid **100-150tph** riverstone crushing line in Algeria



**MATERIAL :** riverstone

**FEEDING SIZE :** 600mm

**OUTPUT SIZE :** 0-5mm

**CAPACITY (TPH) :** 100-150T/h

**EQUIPMENT :** GZD960\*3800、PE600\*900、CSB160/C、RCYD-8、  
GZG100-4、5X1145、4YZS1860、4YZS2160、XSD-2816、XSD3016、  
belt conveyor





## The Strength of Kefid

Kefid Machinery is a leading and pioneering enterprise with the most advanced international level in R&D, manufacturing and selling of large-scale crushing & screening plants and beneficiation plants. Located in a historic city and transportation hub in central China-Zhengzhou, covering 140 thousand square meters, Kefid has Shangjie and High-tech zone two production bases. Shangjie Zone which covers 80,000 square meters has three heavy-duty and modern integrated assembling workshops--occupying 50,000 square meters; High-tech zone has 22 floors R&D Management laboratory building with 26,000 square meters, comprehensive equipments exhibition hall with 5,100 square meters, heavy-duty and modern integrated assembling workshop with 10,000 square meters, and also has the industry's most advanced machining workshop 20,000 square meters, and hundred sets of advanced large-scale vertical lathe, fixed lathe, planner, boring lathe, grinder and milling machines.





## SERVICE-With Me· Enjoy your pleasant journey

Your profit is our greatest concern and your praise is the biggest compliment that we diligently strive for. Our aim is, with the core of service, tailored for you the most valuable products with comprehensive pre-sale, sale and after sale service.

**Tel:** 0086-371-67999255

**Email:** Sales@kefid.com



## SPARE PARTS

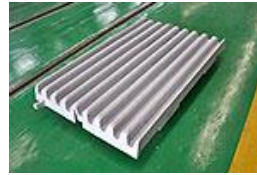
### Jaw Crusher



Weights for movable



Fixed jaw plate



Movable jaw plate



Lining board



wedge

### Crushing Plant



Rotor Assembly



Liner Board



Hammer Bar



Wedge



Impact Plate

### Sand-making Equipment



Circum Guard plate



Impact Plate



Impact Block



Hammer



wearproof Plate



# PRODUCT LIST

## Stationary Crushers

JC Series Jaw Crusher

Jaw Crusher

C6X Series Jaw Crusher

Primary Impact Crusher

CI5X Series Impact Crusher

Impact Crusher

CS Cone Crusher

Spring Cone Crusher

HPT Cone Crusher

Deep Rotor VSI Crusher

B Series VSI Crusher

VSI6S vertical shaft impact crusher

## VU System Equipment

Dry Sand Making System

Dry-Mixed Mortar Sand Making Equipment

Concrete-Use Sand Making Equipment

## Grinding Mills

Ultra Fine Vertical Grinding Mill

VM - Vertical Grinding Mill

European Tech. Grinding Mill

Micro Powder Mill

Raymond Mill

Ball Mill

## Washing & Screening

F5X Heavy Vibrating Feeder

Screw Sand Washing Machine

Wheel Sand Washing Machine

Vibrating Feeder

Belt Conveyor

## K series mobile plants

Primary mobile crushing plant

Mobile Secondary Crushing & Screening Plant

Independent Operating Combined Mobile Station

Fine crushing and screening mobile station

Fine crushing & washing mobile station

Three combinations mobile crushing plant

Four combinations mobile crushing plant

## Crawler Mobile Crusher

## Ore Beneficiation

Jaw Crusher

HPT Cone Crusher

Ball Mill

Rotary Kiln

Flotation Machine

High Gradient Magnetic Separator

**Address:** National HI-TECH Industry Development Zone.Zhengzhou,China.

**Tel :** 0086-371-67999255(24 Hour) / 67988500

**Fax:** 0086-371-67998980

**Zip code:** 450001

**Email:** sales@kefid.com

**Web:** <http://www.kefid.com>

